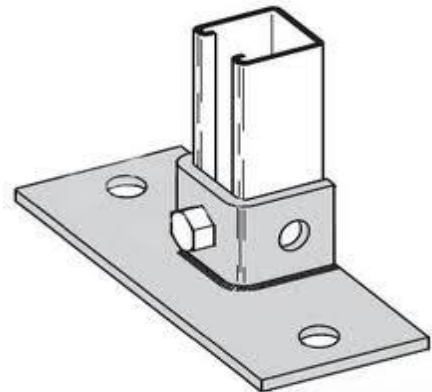


CHANNEL STRUT
POST BASE FOR 1 5/8" STRUT



2 HOLE BASE FOR SINGLE STRUT
4 HOLE BASE FOR SINGLE STRUT



CHANNEL STRUT
POST BASE FOR 1 5/8" STRUT

ALL STRUT 1/2 SLOT, B2B (BACK TO BACK), EG (ELECTRO GALVANIZED)